

specter

SPECTER SLIM MODULES
UNDROP DOT

bold
lighting



UNDROP DOT

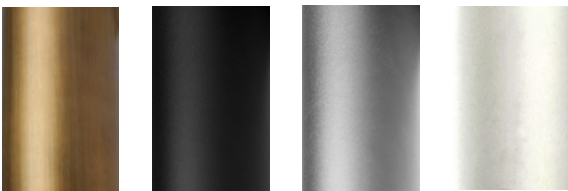
Our Magnetic track system, SPECTER, is a highly configurable, 2 circuits, 24VDC low voltage track system. Thanks to its magnet mounting technology, the modules are inter-changeable instantaneously. Our track is available in ceiling pendant, surface and recessed mounting for both ceiling and walls. SPECTER track is also available with an optional linear uplight feature. The Undrop module offers a quietly recessed fixture configuration, flush with the face of the track. It comes with a wide range of lengths and optics, allowing the illumination of both horizontal or vertical planes, at different ceiling heights, ranging from a single level to a tall triple level atrium.

- Up to 2902lm delivered output
- Available in 3 standard lengths 4", 8", 15". (Consult factory for longer sections)
- Available in Low glare baffles
- Fixtures designed to mount in SPECTER track
- Available in 4 standard finishes: Black, white, silver and bronze

Notes: ¹ Available dimming 0-10V and DALI

Code example: **SPSM-U04W-W-N827-2**

STANDARD FINISHES



Z

B

S

W

DELIVERED LUMEN OUTPUT

Length	Watts	CRI +80				CRI +90			
		2700K	3000K	3500K	4000K	2700K	3000K	3500K	4000K
4"	6W	581lm	646lm	710lm	782lm	469lm	521lm	573lm	630lm
8"	12W	1161lm	1290lm	1419lm	1560lm	936lm	1040lm	1144lm	1258lm
15"	24W	2158lm	2398lm	2638lm	2902lm	1741lm	1934lm	2127lm	2340lm

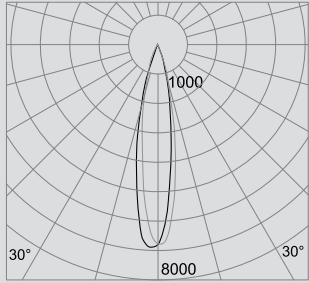
Series	Length		Body Finish		Baffle Finish		Beam Angle		CRI		Color Temp		Circuit	
SPSM-U	04	4"	W	White	W	White	N	12°	8	+80	27	2700K	1	1-Circuit
	08	8"	B	Black	B	Black	M	24°	9	+90	30	3000K	2	2-Circuit
	15	15"	S	Silver	S	Silver	F	36°			35	3500K		
			Z	Bronze	Z	Bronze					40	4000K		
			X	Custom	X	Custom								



Bold Lighting
4710 Ecton Dr., Marietta, GA 30066, USA
info@boldlighting.us www.boldlighting.us
t: +1-678-903-4061

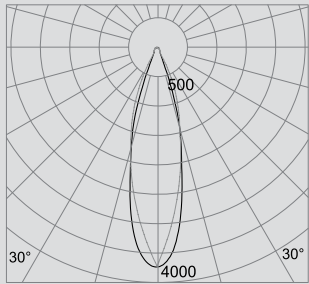
Photometric data:
Type C Polar Curves

12° Beam Angle



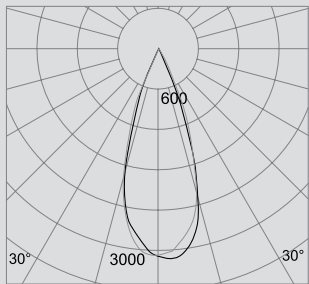
Max. 6,987 cd 1,000 lm

24° Beam Angle



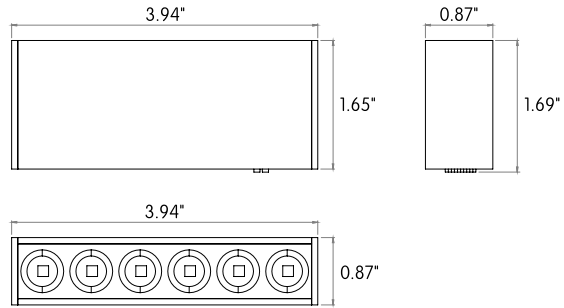
Max. 3,550 cd 1,000 lm

36° Beam Angle

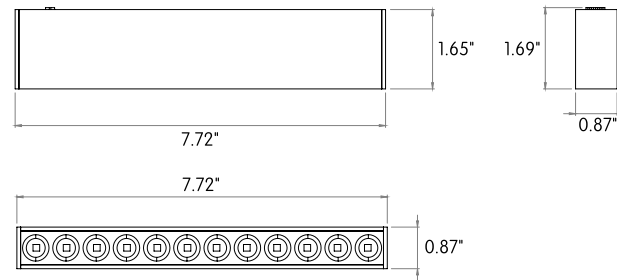


Max. 3,040 cd 1,000 lm

UNDROP DOT 4



UNDROP DOT 8



UNDROP DOT 15

